



**monroe**

a brand of aebi schmidt

**2023**

# Ford Cat Cage Installation S.W.P.

Monroe Truck Equipment

2/9/23



**aebi schmidt**  
group

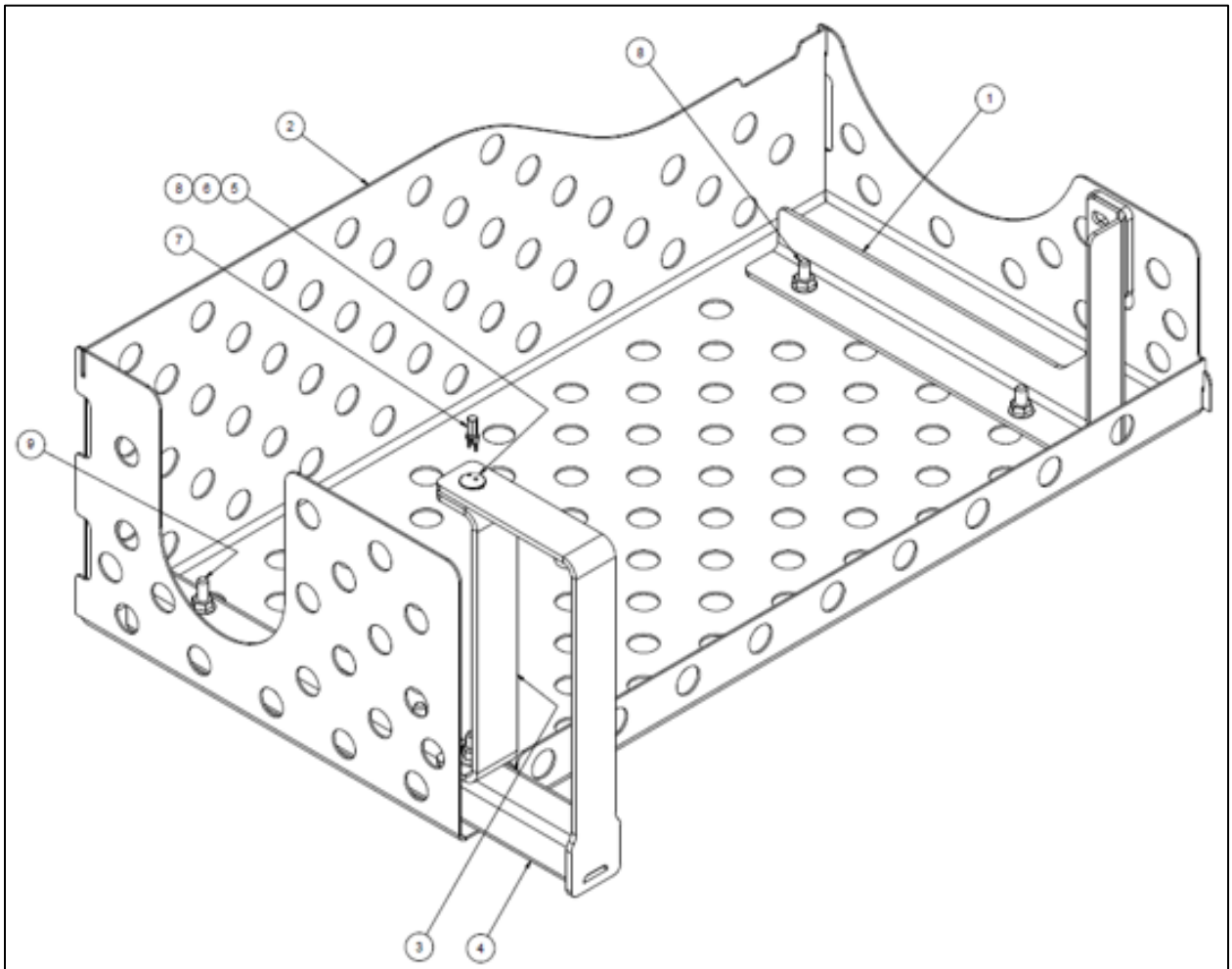
Compatible with Ford F350/F450/F550 crew cab trucks

**Tools/Parts Required**

- 13mm socket
- 7/16" socket
- Ratchet or ratchet wrench
- Vice grips or needle nose pliers
- Anti-seize lubricant

**Included with Kit (00205258)**

- Cat Cage (1)
- Front bracket- 00205247 (1)
- Rear bracket- 00205254 (1)
- Rear bracket weldment- 00205257 (1)
- 5/16" x 2 1/2" S.S. tamper resistant bolts (3)
- 5/16" x 1" S.S. tamper resistant bolts (3)
- 5/16" flat washer (3)
- 5/16" nylock nut (2)
- Spanner insert bit (1)



## Installation Procedure

- A. Using the 13 mm socket, remove the OEM nuts from the exhaust hanger bracket under the cab.



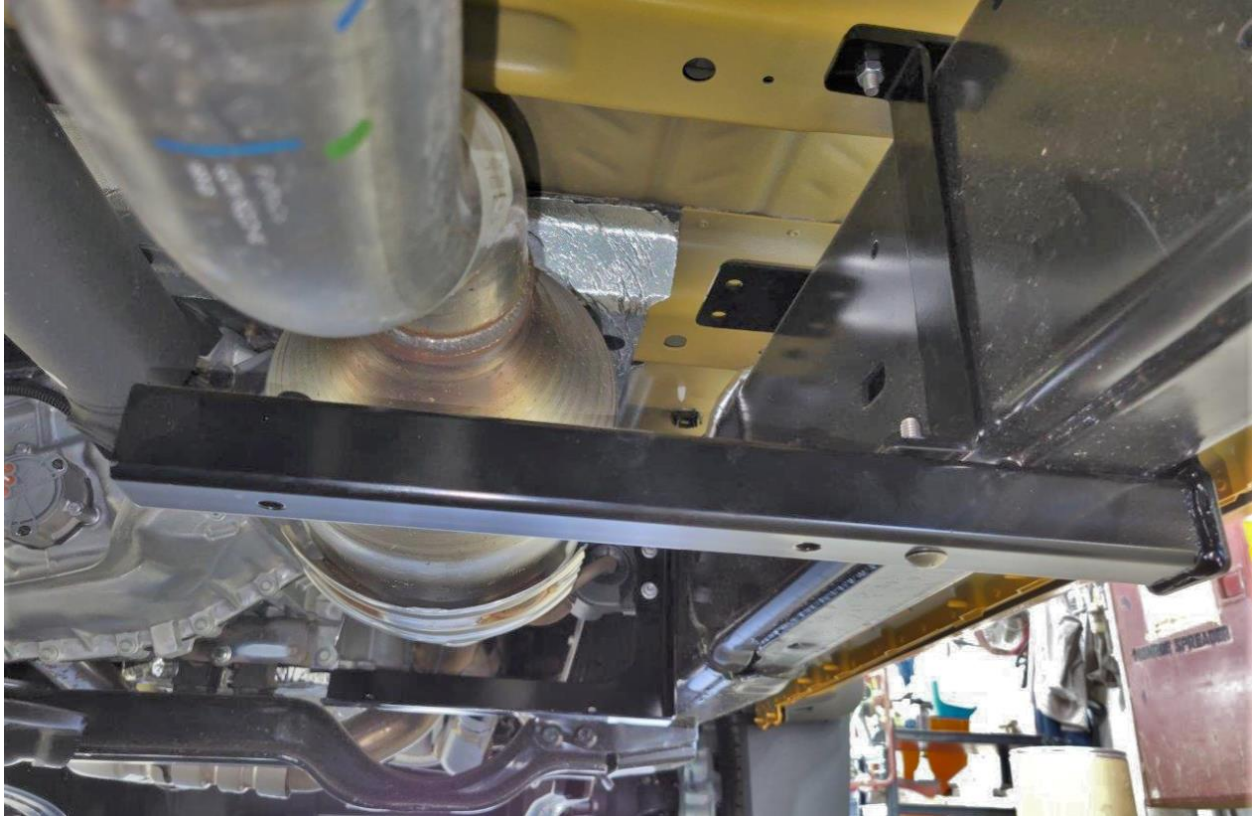
- B. Place the front bracket (00205247) on the OEM studs and secure using the OEM nuts removed.



- C. Place the rear brackets on the frame so they are 23 3/8" center to center from the front bracket.



- D. Using the 5/16" x 1" hardware on the top and the 5/16" x 2 1/2" hardware on the bottom, install the brackets on the frame.



- E. With the narrow end in the rear, lift the guard into place lining up the slotted holes with the holes on the brackets.
- F. Using the 5/16" x 1" bolts in the front bracket and 5/16" x 2 1/2" bolts in the rear bracket, fasten the guard to the brackets.

