



monroe

a brand of aebi schmidt

2023

Ford Cat Cage Installation S.W.P.

Monroe Truck Equipment

2/9/23

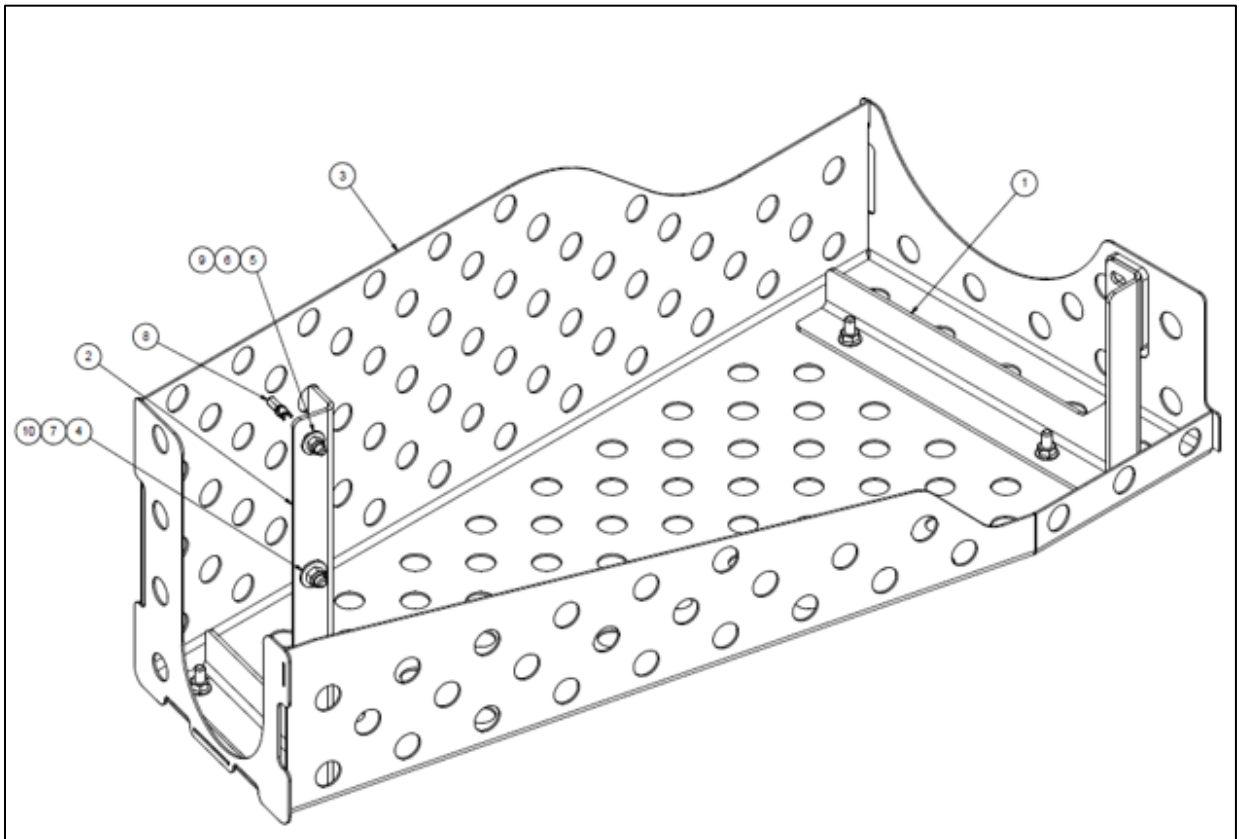
Compatible with Ford F350/F450/F550 regular cab trucks

Tools/Parts Required

- 13mm socket
- 7/16" socket
- 1/2" socket
- Ratchet or ratchet wrench
- Vice grips or needle nose pliers
- Anti-seize lubricant

Included with Kit (00205244)

- Cat Cage (1)
- Front bracket- 00205247 (1)
- Rear bracket- 00205249 (1)
- 5/16" x 1" S.S. tamper resistant bolts (5)
- 5/16" flat washer (1)
- 5/16" nylock nut (1)
- 1/4" x 1" S.S. tamper resistant bolt (1)
- 1/4" S.S. flat washer (1)
- 1/4" S.S. nylock nut
- Spanner insert bit (1)



Installation Procedure

- A. Using the 13 mm socket, remove the OEM nuts from the exhaust hanger bracket under the cab.



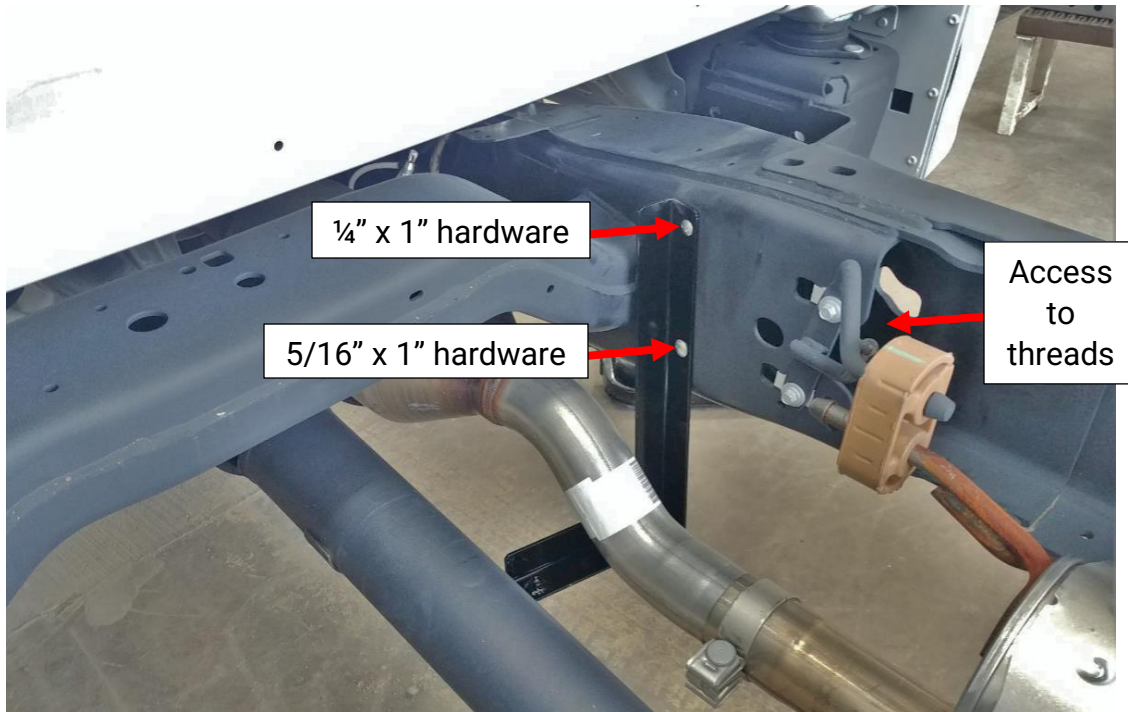
- B. Place the front bracket (00205247) on the OEM studs and secure using the OEM nuts removed.



- C. Locate the OEM holes on the frame behind the cross member under the back of the cab.



- D. Using the ¼" x 1" bolt, washer, and nylock in the top hole (7/16" socket) and 5/16" x 1" bolts, washer, and nylock (½" socket) in the bottom hole, install the rear bracket (00205249) leaving the bolts loose to allow adjust when cage is installed.
- a. Access the threads of the bolt through the cavity in the frame rail.



- E. With the narrow end in the rear, lift the cat cage into place lining up the slotted holes with the holes on the brackets.
- F. Using the 5/16" x 1" bolts, fasten the cage to the brackets.
- G. Tighten the ¼" and 5/16" bolts on the rear bracket.

